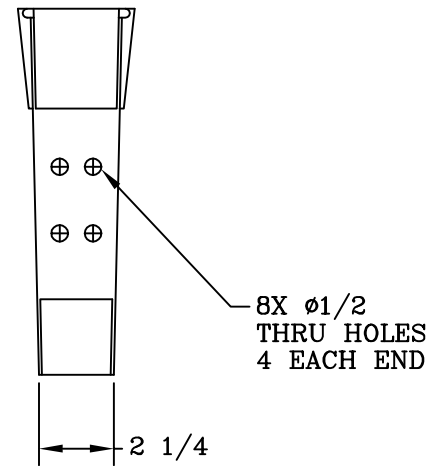
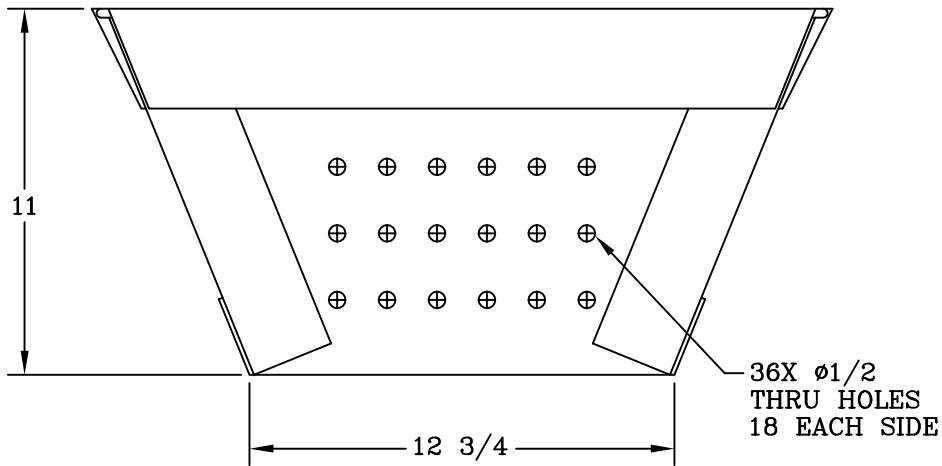
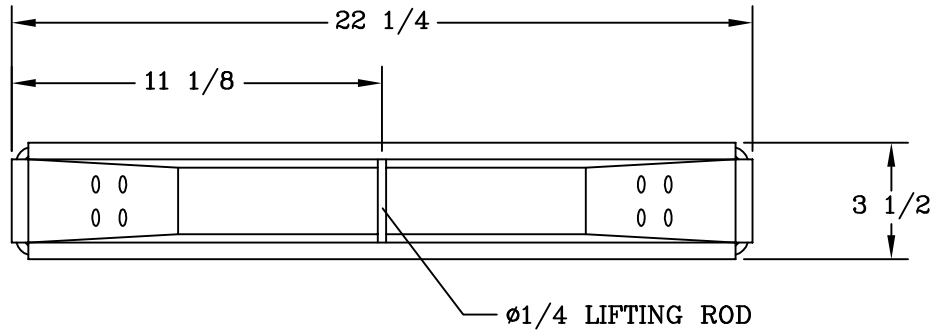


Supplied By:

**TRENCH DRAIN
SUPPLY**

877-903-7246

www.trenchdrainsupply.com



NOTES:

- COLOR IS GRAY

DIMENSIONS ARE IN INCHES OR MILLIMETERS IN BRACKETS UNLESS OTHERWISE NOTED.				HUBBELL® 3621 INDUSTRIAL PARK DR LENOIR CITY, TN 37771 865-986-9726 www.hubbellpowersystems.com		LOC
DRN	BY	DATE	WEIGHT	1#		
CHK	WRJ	7/24/95	SCALE	3"=1'	DRAWING DESCRIPTION	REV
ENG	MS	8/15/95	SIZE	B	TRASH BASKET	A
APR	MS	8/15/95				7/95
PROJECT NUMBER				SHEET 1 OF 1		DRAWING NUMBER
95308						DA0650TA